



# BILLET SUPERLITE 6 & 6R CALIPERS

## Superlite 6 Lug Mount:

The Superlite 6 billet six piston caliper with “Big-brake” styling meets the high performance demands of today’s tire, wheel and suspension technology. Utilizing NASCAR Championship know-how, this is the first high production billet six piston caliper designed specifically for High Performance, Muscle Car, Hot Rod, Pro Touring and Sport Sedans.



Using advanced solid modeling and stress simulation technology, this high strength, ultra rigid billet aluminum package weighs in at just over 5 pounds and includes differentially positioned deep cup stainless steel pistons for improved heat resistance, pedal response and pad wear. Anti-rattle pad load plates are fitted for quiet operation and smooth braking. Pad changes are fast and easy; remove one bridge bolt and the brake pads are out. A high luster black anodized finish resists corrosion and preserves the caliper’s good looks. Additional features include full CNC machining, protected bleed screws and fluid transfer tube, Grade 8 and aircraft hardware and 1/8-27 NPT fluid inlet.



## Superlite 6R Radial Mount:

Our six piston radial mount Superlite 6R caliper offers the same performance characteristics as the lug version, only in a radial mount design, permitting versatility in mounting applications and weighing in at just 4.9 pounds.

Brackets are available for the Superlite 6R in a wide range of rotor diameters and mounting configurations to accommodate mounting the 4.86” radial mount pattern, including a 3.5” Superlite lug, 5.25” GT lug and a variety of stock OEM spindle applications.

## Polished Superlite 6 Lug Mount:

The polished Superlite 6 caliper incorporates all of the high performance features of the Billet Superlite 6 but in a brilliantly polished finish.

The machining versatility of our CNC equipment sculpts a caliper that enhances wheel and suspension detail for that show car look without sacrificing any performance characteristics.



ORDERING INFORMATION:

**BILLET SUPERLITE 6:** (1, 2)

DIFFERENTIAL BORE

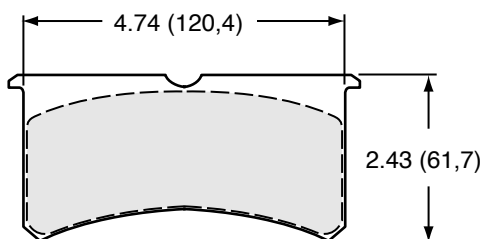
BORE SIZE	DISC WIDTH	FRONT MOUNT PART NUMBER		REAR MOUNT PART NUMBER	
		RH	LH	RH	LH
1.62/1.12/1.12" 41,1/28,4/28,4 mm	1.25" 31,8 mm	120-5960-FS	120-5961-FS	120-5960-RS	120-5961-RS
1.62/1.12/1.12" 41,1/28,4/28,4 mm	1.00" 25,4 mm	120-5958-FS	120-5959-FS	120-5958-RS	120-5959-RS
1.62/1.12/1.12" 41,1/28,4/28,4 mm	.81" 20,6 mm	120-5956-FS	120-5957-FS	120-5956-RS	120-5957-RS

**BILLET SUPERLITE 6R:** (1)

DIFFERENTIAL BORE

BORE SIZE	DISC WIDTH	FRONT MOUNT PART NUMBER		REAR MOUNT PART NUMBER	
		RH	LH	RH	LH
1.62/1.12/1.12" 41,1/28,4/28,4 mm	1.25" 31,8 mm	120-6115-FS	120-6116-FS	120-6115-RS	120-6116-RS
1.62/1.12/1.12" 41,1/28,4/28,4 mm	1.00" 25,4 mm	120-6113-FS	120-6114-FS	120-6113-RS	120-6114-RS
1.62/1.12/1.12" 41,1/28,4/28,4 mm	.81" 20,6 mm	120-6111-FS	120-6112-FS	120-6111-RS	120-6112-RS

TYPICAL CALIPER, TYPE 7420 PAD DIMENSIONS AND ORDERING INFORMATION:

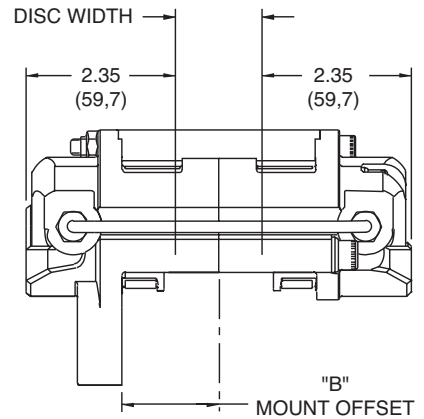
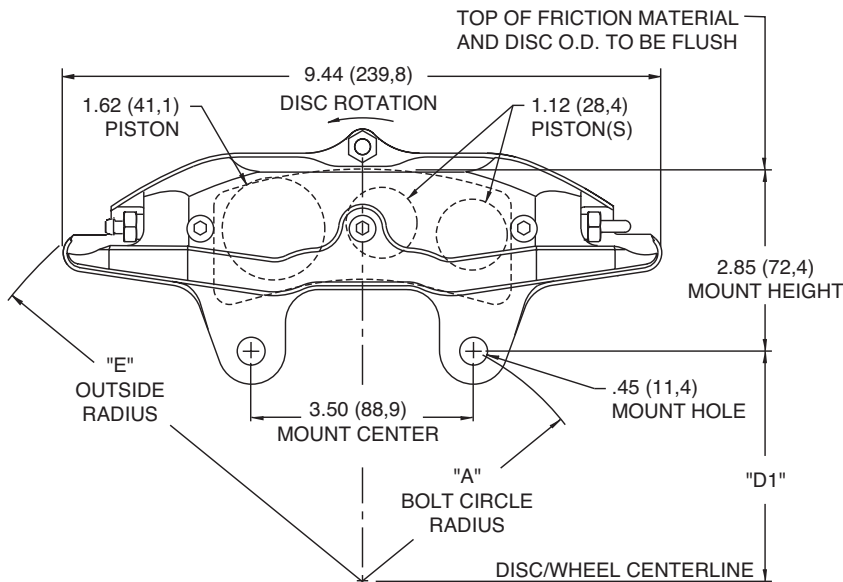


AXLE SET PART NO.	PAD TYPE/COMPOUND
15A - 5938K	7420 A PolyMatrix
15B - 5939K	7420 B PolyMatrix
15D - 5935K	7420 D PolyMatrix
15E - 6084K	7420 E PolyMatrix
15J - 6443K	7420 J PolyMatrix
15Q - 6828K	7416 Q PolyMatrix
15Q - 6829K	7420 Q PolyMatrix
15T - 5916K	7420 T PolyMatrix

NOTES: (1) REFERENCE FRONT OF TECHNICAL CATALOG FOR GENERAL ORDERING INFORMATION  
 (2) AVAILABLE POLISHED, ADD-P TO END OF PART NUMBER  
 FS = FRONT SIDE MOUNT, RS = REAR SIDE MOUNT

# BILLET SUPERLITE 6 & 6R CALIPERS (Cont)

TYPICAL SUPERLITE 6 LUG MOUNT CALIPER, MOUNTING DIMENSIONS (SUPERLITE 6 LUG SHOWN):



DISC WIDTH	"B" MOUNT OFFSET
1.38 (35,1)	1.54 (39,1)
1.25 (31,8)	1.54 (39,1)
1.10 (27,9)	1.44 (36,6)
1.00 (25,4)	1.44 (36,6)
.81 (20,6)	1.32 (33,5)

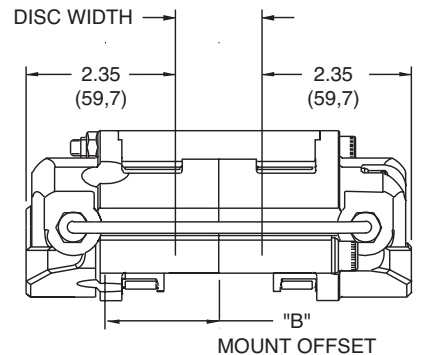
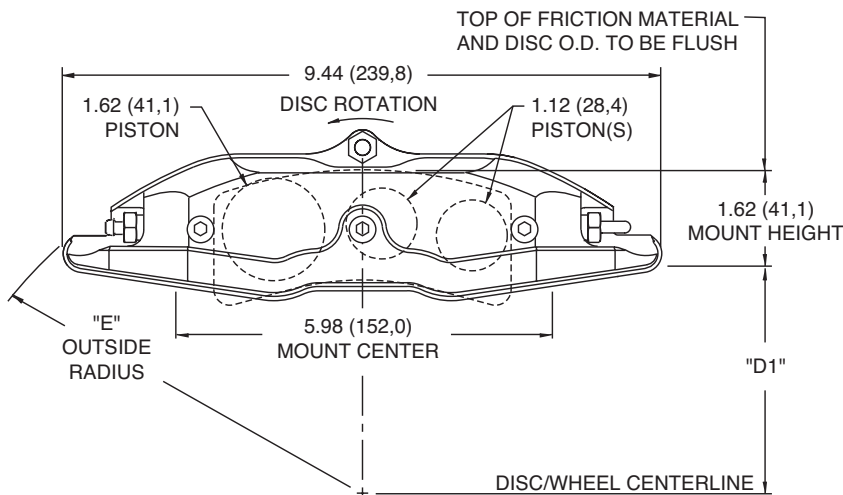
DIMENSION "D1" = (DISC DIAMETER/2) - 2.85 (72,4)

NOTE: RIGHT HAND CALIPER SHOWN. LEFT HAND CALIPER HAS BLEED SCREW AND CROSSOVER TUBE REVERSED.

INLET FITTING: 1/8-27 NPT

DISC DIAMETER	"A" BOLT CIRCLE RADIUS	"E" OUTSIDE RADIUS
11.75 (298,5)	3.49 (88,6)	6.65 (168,9)
12.19 (309,6)	3.69 (93,7)	6.81 (173,0)
12.72 (323,1)	3.92 (99,6)	7.00 (177,8)
13.00 (330,2)	4.05 (102,9)	7.13 (181,1)

TYPICAL SUPERLITE 6 RADIAL MOUNT CALIPER, MOUNTING DIMENSIONS (SUPERLITE 6R SHOWN):



DISC WIDTH	"B" MOUNT OFFSET
1.38 (35,1)	1.80 (45,7)
1.25 (31,8)	1.80 (45,7)
1.10 (27,9)	1.70 (43,2)
1.00 (25,4)	1.70 (43,2)
.81 (20,6)	1.58 (40,1)

DIMENSION "D1" = (DISC DIAMETER/2) - 1.62 (41,1)

NOTE: RIGHT HAND REAR MOUNT CALIPER SHOWN. LEFT HAND CALIPER HAS BLEED SCREW AND CROSSOVER TUBE REVERSED.

INLET FITTING: 1/8-27 NPT

RADIAL MOUNT BRACKETS ARE AVAILABLE

DISC DIAMETER	"E" OUTSIDE RADIUS
11.75 (298,5)	6.65 (168,9)
12.19 (309,6)	6.81 (173,0)
12.72 (323,1)	7.00 (177,8)
12.88 (327,2)	7.07 (179,6)
13.00 (330,2)	7.13 (181,1)

**BILLET SUPERLITE 6: ORDERING INFORMATION: USER SERVICEABLE COMPONENTS:**

ASSEMBLY	INBOARD BODY	OUTBOARD BODY	PISTON	PAD WEAR PLATES	CROSSOVER TUBE KIT (4 PK)	BLEED SCREW KIT (4 PK)	BRIDGE BOLT KIT	SQ RING KIT (6 PK)
120-5956-FS	110-5940	110-5941	200-1114 (1.62") 200-4656 (1.12")	300-5922/23	190-5973	220-6069	230-5976	130-5972
120-5956-RS	110-5940	110-5941	200-1114 (1.62") 200-4656 (1.12")	300-5922/23	190-5973	220-6069	230-5976	130-5972
120-5957-FS	110-5942	110-5943	200-1114 (1.62") 200-4656 (1.12")	300-5922/23	190-5973	220-6069	230-5976	130-5972
120-5957-RS	110-5942	110-5943	200-1114 (1.62") 200-4656 (1.12")	300-5922/23	190-5973	220-6069	230-5976	130-5972
120-5958-FS	110-5944	110-5945	200-1114 (1.62") 200-4656 (1.12")	300-5922/23	190-5974	220-6069	230-5977	130-5972
120-5958-RS	110-5944	110-5945	200-1114 (1.62") 200-4656 (1.12")	300-5922/23	190-5974	220-6069	230-5977	130-5972
120-5959-FS	110-5946	110-5947	200-1114 (1.62") 200-4656 (1.12")	300-5922/23	190-5974	220-6069	230-5977	130-5972
120-5959-RS	110-5946	110-5947	200-1114 (1.62") 200-4656 (1.12")	300-5922/23	190-5974	220-6069	230-5977	130-5972
120-5960-FS	110-5948	110-5949	200-1114 (1.62") 200-4656 (1.12")	300-5922/23	190-5975	220-6069	230-5978	130-5972
120-5960-RS	110-5948	110-5949	200-1114 (1.62") 200-4656 (1.12")	300-5922/23	190-5975	220-6069	230-5978	130-5972
120-5961-FS	110-5950	110-5951	200-1114 (1.62") 200-4656 (1.12")	300-5922/23	190-5975	220-6069	230-5978	130-5972
120-5961-RS	110-5950	110-5951	200-1114 (1.62") 200-4656 (1.12")	300-5922/23	190-5975	220-6069	230-5978	130-5972

**BILLET SUPERLITE 6R: ORDERING INFORMATION: USER SERVICEABLE COMPONENTS:**

ASSEMBLY	INBOARD BODY	OUTBOARD BODY	PISTON	PAD WEAR PLATES	CROSSOVER TUBE KIT (4 PK)	BLEED SCREW KIT (4 PK)	BRIDGE BOLT KIT	SQ RING KIT (6 PK)
120-6111-FS	110-6105	110-5941	200-1114 (1.62") 200-4656 (1.12")	300-5922/23	190-5973	220-6069	230-5976	130-5972
120-6111-RS	110-6105	110-5941	200-1114 (1.62") 200-4656 (1.12")	300-5922/23	190-5973	220-6069	230-5976	130-5972
120-6112-FS	110-6106	110-5943	200-1114 (1.62") 200-4656 (1.12")	300-5922/23	190-5973	220-6069	230-5976	130-5972
120-6112-RS	110-6106	110-5943	200-1114 (1.62") 200-4656 (1.12")	300-5922/23	190-5973	220-6069	230-5976	130-5972
120-6113-FS	110-6107	110-5945	200-1114 (1.62") 200-4656 (1.12")	300-5922/23	190-5974	220-6069	230-5977	130-5972
120-6113-RS	110-6107	110-5945	200-1114 (1.62") 200-4656 (1.12")	300-5922/23	190-5974	220-6069	230-5977	130-5972
120-6114-FS	110-6108	110-5947	200-1114 (1.62") 200-4656 (1.12")	300-5922/23	190-5974	220-6069	230-5977	130-5972
120-6114-RS	110-6108	110-5947	200-1114 (1.62") 200-4656 (1.12")	300-5922/23	190-5974	220-6069	230-5977	130-5972
120-6115-FS	110-6109	110-5949	200-1114 (1.62") 200-4656 (1.12")	300-5922/23	190-5975	220-6069	230-5978	130-5972
120-6115-RS	110-6109	110-5949	200-1114 (1.62") 200-4656 (1.12")	300-5922/23	190-5975	220-6069	230-5978	130-5972
120-6116-FS	110-6110	110-5951	200-1114 (1.62") 200-4656 (1.12")	300-5922/23	190-5975	220-6069	230-5978	130-5972
120-6116-RS	110-6110	110-5951	200-1114 (1.62") 200-4656 (1.12")	300-5922/23	190-5975	220-6069	230-5978	130-5972